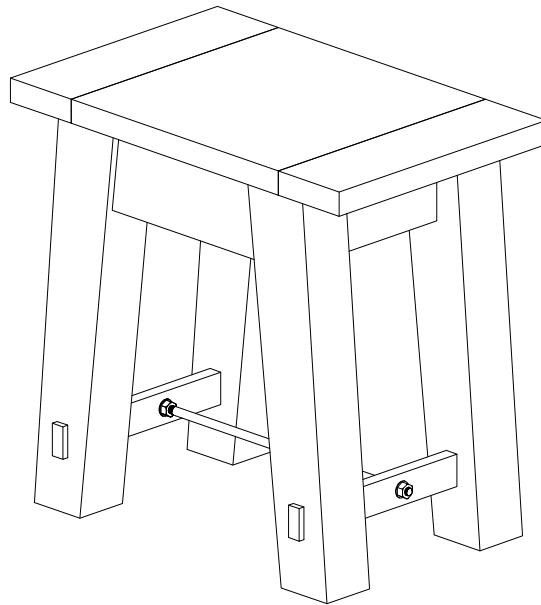


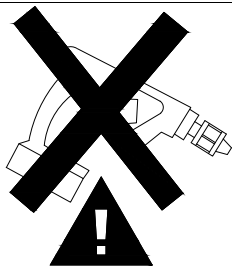
ASSEMBLY INSTRUCTION

END TABLE

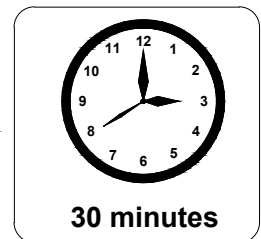
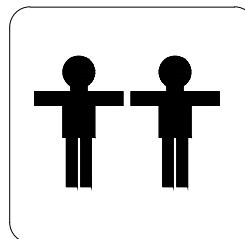


REPLACEMENT PARTS

Please do not contact the company purchased from as we can help you faster.
Order replacement parts and hardware at " www.alaterrefurniture.com "



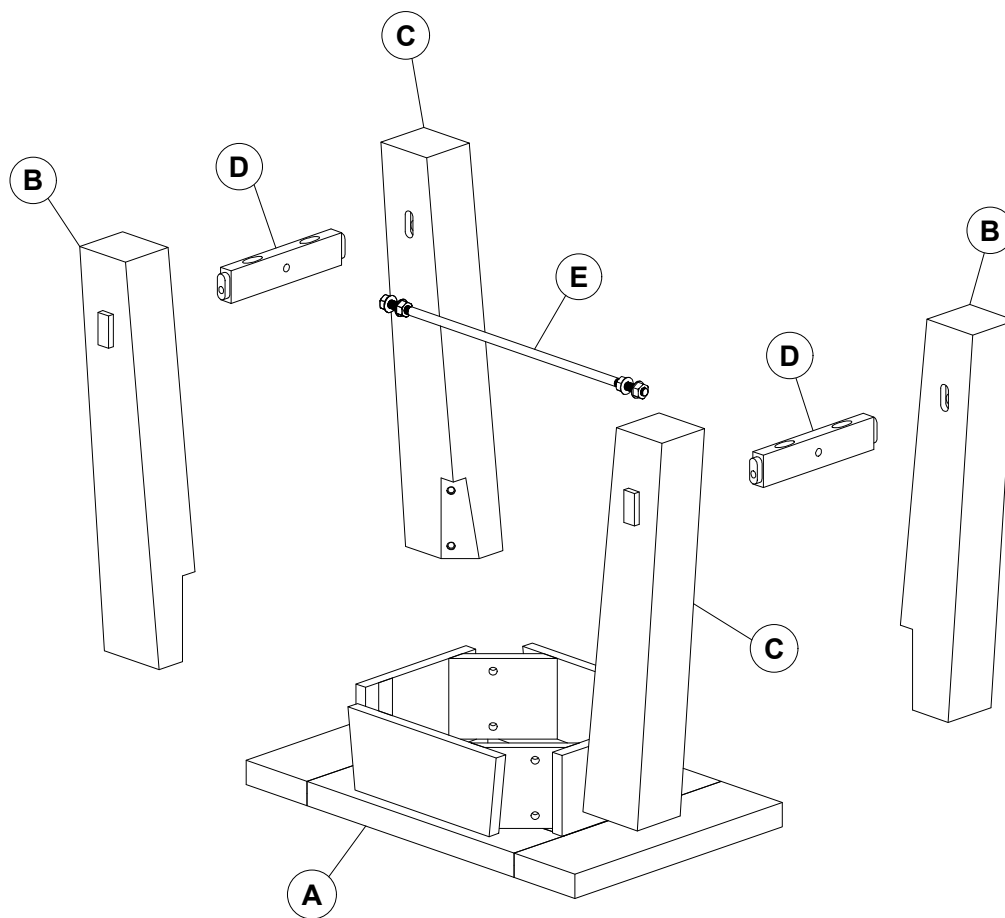
. Use of power tool to assemble this product will invalidate any claim and damage this product making it unsafe !!!
. Please assemble on a clean soft surface to avoid damage.



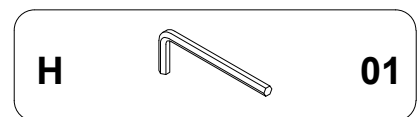
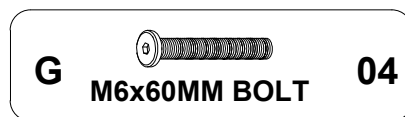
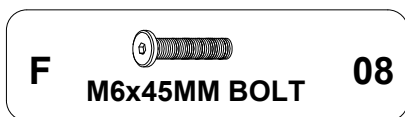
30 minutes

www.alaterrefurniture.com

Part list-Durango End Table



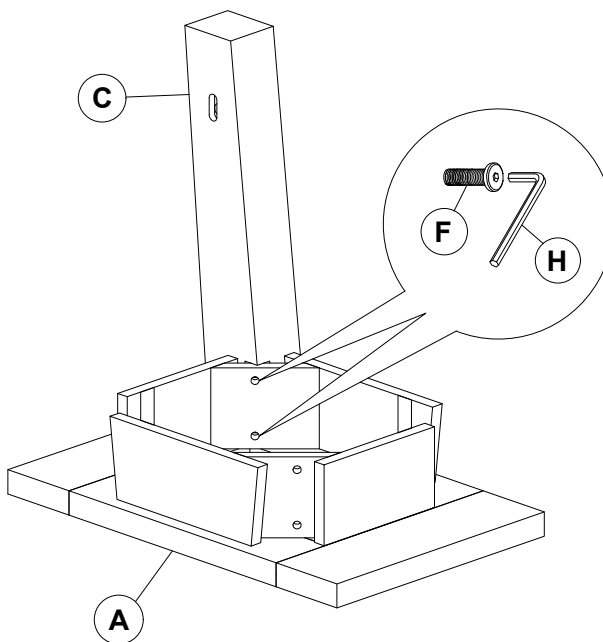
Identifying the hardware-Identify the hardware using the illustrations below



Step 01

F  **02**
M6x45MM BOLT

H  **01**

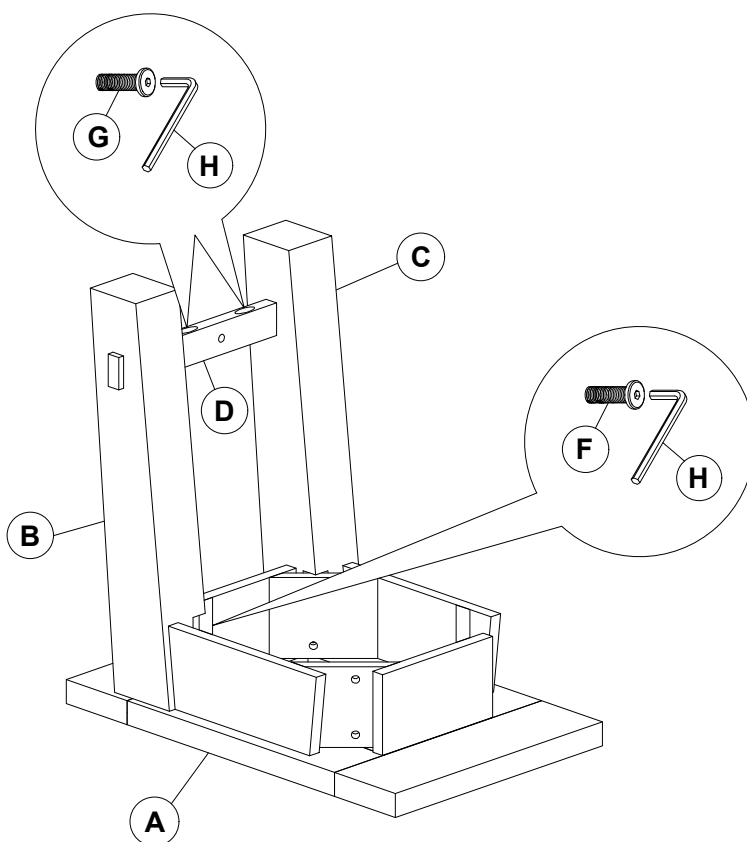


Step 02

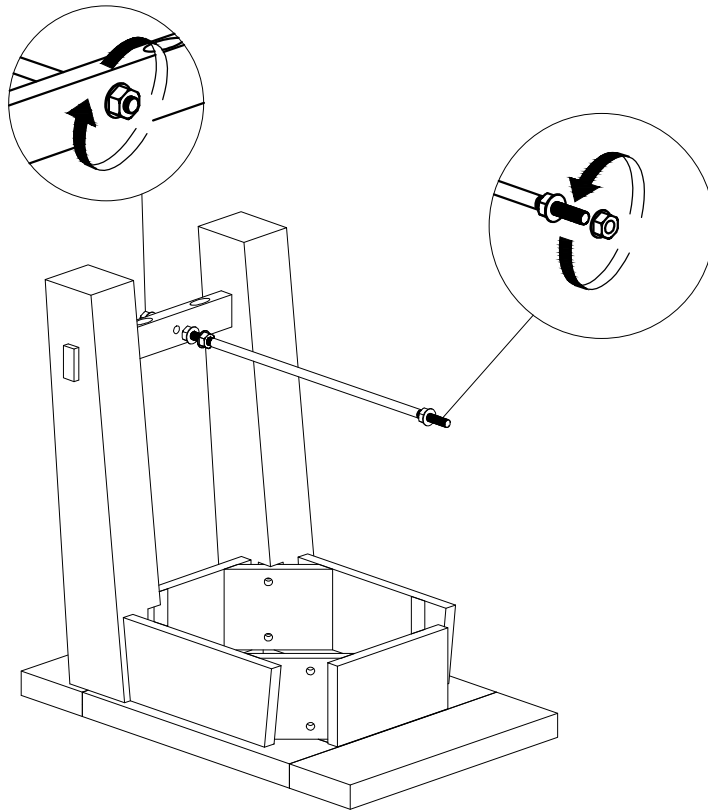
F  **02**
M6x45MM BOLT

G  **02**
M6x60MM BOLT

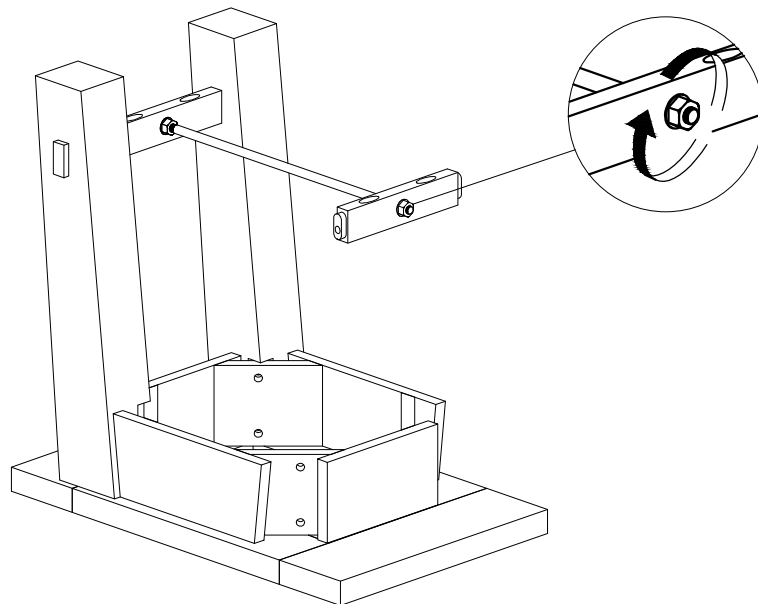
H  **01**



Step 03




Step 04

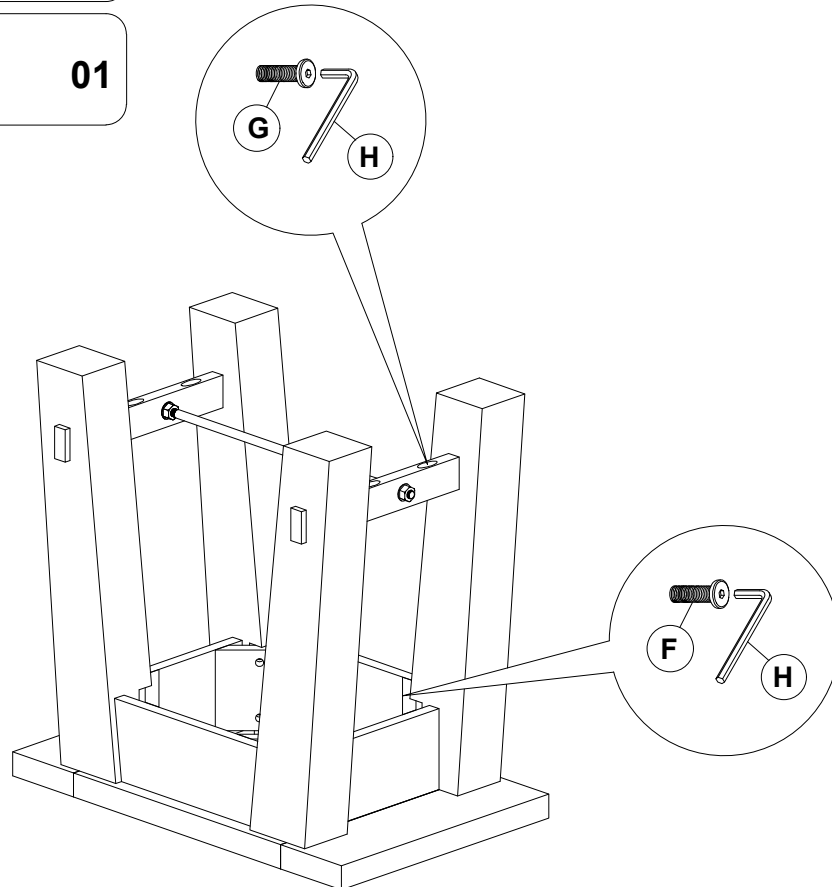


Step 05

F  **02**
M6x45MM BOLT

G  **02**
M6x60MM BOLT

H  **01**



www.alaterrefurniture.com